



SLA ACTUATOR

High performance linear positioning actuator

SLA Actuator

The SCHNEEBERGER super-compact SLA Actuator offers high performance linear positioning at an economical price. This actuator uses recirculating ball linear guides which offer smooth motion and high load capacity. A ball screw version is available for higher speeds and duty cycles. A variety of leads are available for both the lead screw and ball screw versions.

SLA Actuator Features

- Rigid linear bearings
- Lightweight precision aluminum base
- Easy assembly, stackable, without additional brackets
- Extreme flexibility
- Customizable
- Clean Room prep
- Custom lengths
- Different motor flanges
- Different lead options
- Brake options
- Linear encoder option
- Offered with both lead screw and ball screw version
- Wide base available for maximum stiffness
- Industry leading 1 meter lengths
- Anti-backlash leadscrew nut
- Proximity or photoelectric sensors built in
- Cover option for contamination protection
- Servo, stepper, and smart motor control options

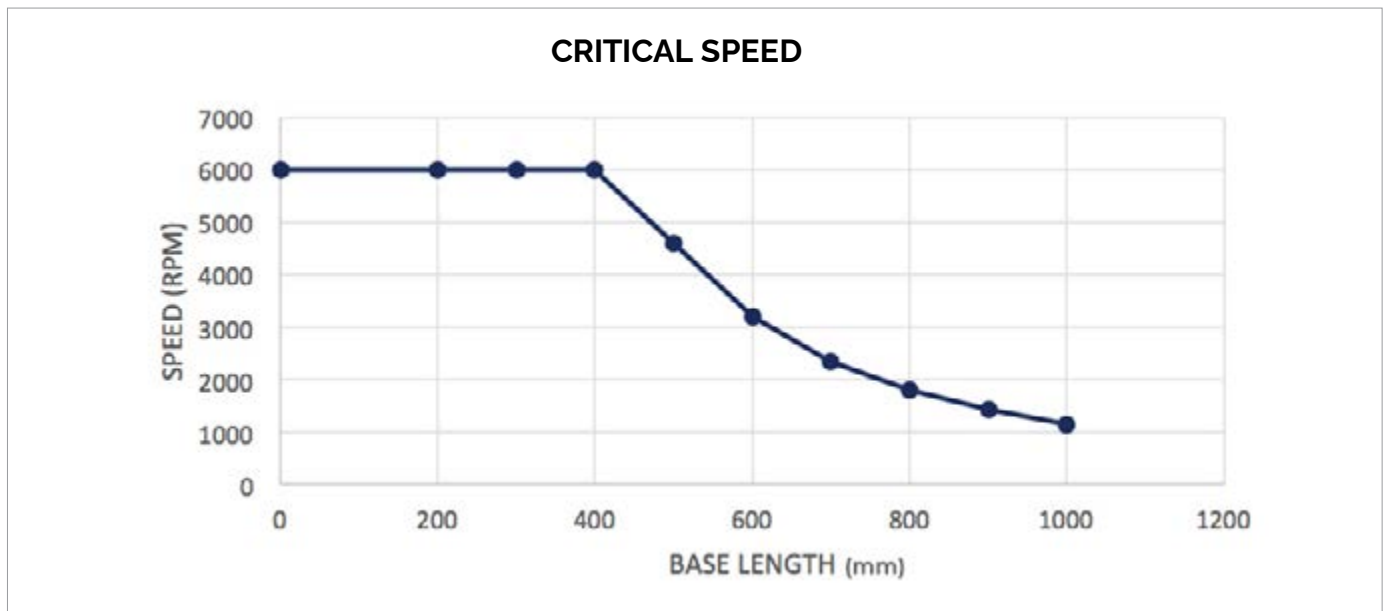


Load and Accuracy Specifications (Linear Guides)

MODEL	BLOCK TYPE	*STATIC RADIAL /REV RADIAL LOAD CAPACITY (KN)	STATIC LATERAL LOAD CAPACITY (KN)	*DYNAMIC LOAD CAPACITY (KN)	PITCH MOMENT (N-M)	ROLL MOMENT (N-M)	YAW MOMENT (N-M)	RUNNING RALLELISM (mm)
SLA25	A-BLOCK	5.06	0.48	3.42	48	36	20	0.13/300
	B-BLOCK	10.12	0.96	6.84	311	72	28	
	C-BLOCK	2.53	0.48	1.71	75	18	6.5	
	D-BLOCK	5.06	0.96	3.42	48	36	20	
SLA33	A-BLOCK	6.76	0.48	5.12	133	109	25	0.13/300
	B-BLOCK	13.52	0.96	10.24	385	218	72	
	C-BLOCK	3.38	0.48	2.56	25.4	54	6	
	D-BLOCK	6.76	0.96	5.12	256	109	25	
SLAW33	A-BLOCK	6.76	0.48	5.12	133	218	25	0.13/300
	B-BLOCK	13.52	0.96	10.24	385	436	72	
	Y-BLOCK	6.76	0.48	5.12	285	218	54	

* Value given for life calculation formulas

Speed Specifications



Note: Max Speed for a Lead Screw Is 900 RPM.

Load and Accuracy Specifications (Screw)

MODEL	LEAD	SCREW DIAMETER	DYNAMIC LOAD CAPACITY (KN)	STATIC LOAD CAPACITY (KN)	POSITIONING REPEATABILITY (μm)		POSITIONING ACCURACY	BACKLASH (μm)	
					STANDARD	PRE-LOADED		STANDARD	PRE-LOADED
SLA25 LEAD SCREW	0.050"	1/4"	0.11	0.91	50	10	150μm /300mm	200	10
	0.063"		0.11	0.91					
	0.25"		0.11	0.91					
SLA25 BALL SCREW	2mm	5	0.5	0.8	50	10	52μm /300mm	150	10
	3mm	5	0.34	0.49	50	10			
SLA(W)33 LEAD SCREW	0.050"	3/8"	0.16	2.18	50	10	150μm /300mm	200	10
	0.1"		0.16	2.03					
	0.125"		0.1	1.27					
	0.2"		0.1	1.29					
	0.25"		0.1	1.27					
	0.5"		0.1	1.27					
SLA(W)33 BALL SCREW	2 mm	10mm	2.7	3.8	50	10	52μm /300mm	150	10
	3 mm		2.8	5					
	10 mm		2.8	5					

Load and Accuracy Standard (Support Bearing)

MODEL	PART NUMBER	DYNAMIC LOAD CAPACITY (KN)	STATIC LOAD CAPACITY (KN)
SLA25	694	0.96	0.35
SLA(W)33	626	2.33	0.89

Part Number Creation - SLA25

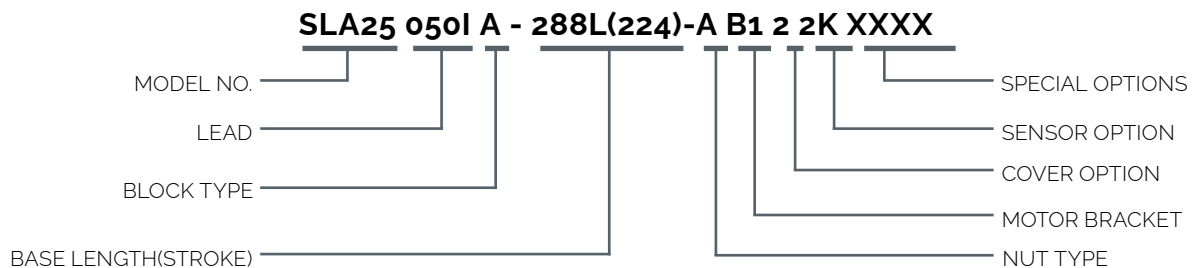
MODEL NO.	LEAD IN (LEAD SCREW) [EX. 250I-0.250"]	SLIDE BLOCK	BASE LENGTH(STROKE)				NUT TYPE	MOTOR BRACKET	COVER OPTION	SENSOR OPTION
			A BLOCK	B BLOCK	C BLOCK	D BLOCK				
SLA25	050I	A - SINGLE LONG BLOCK	120L(52)	N/A	120L(79)	120L(47)	A = ANTI-BACK-LASH LEAD SCREW NUT P = PLAIN LEAD SCREW NUT	B0 = NO MOTOR FLANGE B1 = NEMA 17 MOUNT B2 = NEMA 14 MOUNT B3 = WRAP BRACKET FOR NEMA 14 R0 = EXPOSED BRACKET	1 = NO COVER 2 = WITH COVER	0 = NO SENSORS 2K = NPN PROXIMITY SENSOR KIT (2 NC) 21 = NPN PROXIMITY SENSOR KIT (2 NC, 1 NO) 2KP = PNP PROXIMITY SENSOR KIT (2 NC) 21P = PNP PROXIMITY SENSOR KIT (2 NC, 1 NO) 2H = NPN PHOTO SENSOR KIT (2 SENSORS) 3H = NPN PHOTO SENSOR KIT (3 SENSORS) 2HP = PNP PHOTO SENSOR KIT (2 SENSORS) 3HP = PNP PHOTO SENSOR KIT (3 SENSORS) CS = CUSTOM SENSOR CONFIGURATION
	063I		204L(136)	204L(74)	204L(163)	204L(131)				
	250I	B - DOUBLE LONG BLOCKS	288L(220)	288L(158)	288L(247)	288L(215)				
			372L(304)	372L(242)	372L(331)	372L(299)				
	C - SINGLE SHORT BLOCK	456L(388)	456L(326)	456L(415)	456L(383)	624L(523)				
		540L(472)	540L(410)	540L(499)	540L(467)					
		624L(556)	624L(494)	624L(583)	624L(523)					
		708L(640)	708L(578)	708L(667)	708L(635)					
	D - DOUBLE SHORT BLOCKS									

SPECIAL OPTIONS - Please contact SCHNEEBERGER for many other special options not listed below.

BLANK = NOTHING
 SPECIAL LUBRICATION: *SPECIFY TYPE OF LUBRICATION IN DESCRIPTION
 INCLUDE MOTOR: *MUST SPECIFY MOTOR P/N IN DESCRIPTION
 SPECIAL MACHINING: *SPECIFY CUSTOM MACHINING IN DESCRIPTION

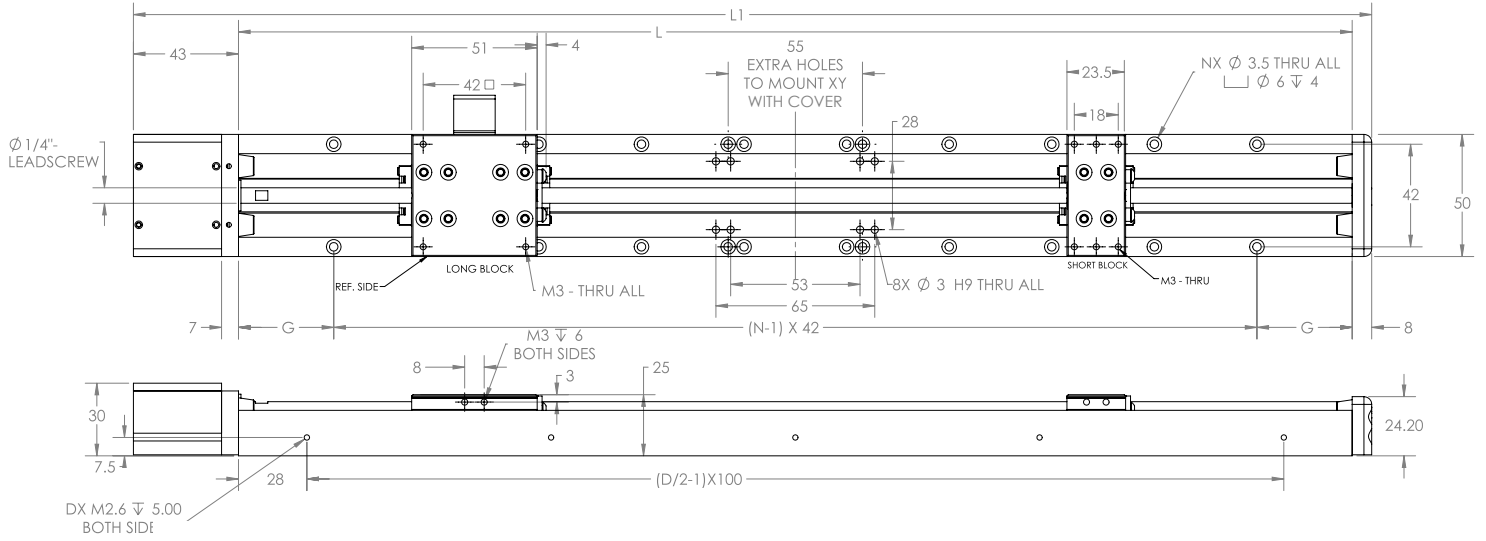
*Consult SCHNEEBERGER for custom length.

PART NUMBER CREATION

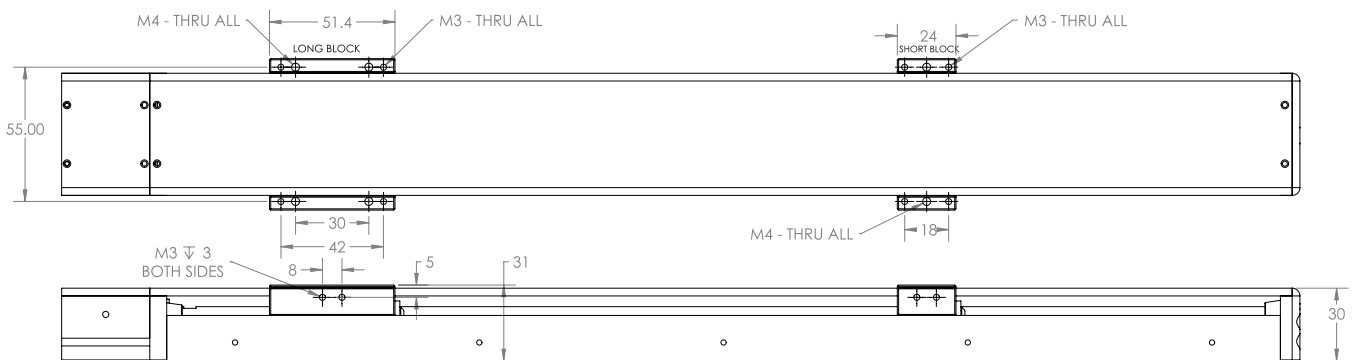


SLA25

NO COVER



WITH COVER



SLA25 MECHANICAL DIMENSIONS UNITS: mm	RAIL LENGTH	OVERAL LENGTH	# OF N HOLES	# OF D HOLES
	120	171	4	4
	204	255	8	4
	288	339	12	6
	372	423	16	8
	456	507	20	10
	540	591	24	12
	624	675	28	12
	708	759	32	14

Part Number Creation - SLA33

MODEL NO.	LEAD		SLIDE BLOCK	BASE LENGTH (STROKE)					NUT TYPE	MOTOR BRACKET	COVER OPTION	SENSOR OPTION (SEE TABLE 3)
	IN (LEAD SCREW) [EX. 250I =0.250"]	M (BALL SCREW) [EX. 02M =2MM]		A BLOCK	B BLOCK	C BLOCK	D BLOCK	Y BLOCK				
SLA33	050I	02M	A - SINGLE LONG BLOCK	100L(110)	200L(34)	200L(135)	200L(85)	200L(50)	A = ANTI-BACK-LASH LEAD SCREW NUT	B0 = NO MOTOR FLANGE B1 = NEMA 23 MOUNT B2 = NEMA 17 MOUNT	1 = NO COVER 2 = WITH COVER	0 = NO SENSORS 2K = NPN PROXIMITY SENSOR KIT (2 NC) 2KP = PN PROXIMITY SENSOR KIT (2 NC) 21 = NPN PROXIMITY SENSOR KIT (2 NC, 1 NO) 21P = PNP PROXIMITY SENSOR KIT (2 NC, 1 NO) 2H = NPN PHOTO SENSOR KIT (2 SENSORS) 2HP = PNP PHOTO SENSOR KIT (2 SENSORS) 3H = NPN PHOTO SENSOR KIT (3 SENSORS) 3HP = PNP PHOTO SENSOR KIT CS = CUSTOM SENSOR CONFIGURATION
	100I	03M	B - DOUBLE LONG BLOCKS	300L(210)	300L(134)	300L(235)	300L(185)	300L(150)				
	125I	010M	C - SINGLE SHORT BLOCK	400L(310)	400L(234)	400L(335)	400L(285)	400L(250)				
	200I		D - DOUBLE SHORT BLOCKS	500L(410)	500L(334)	500L(435)	500L(385)	500L(350)				
	250I		Y - EXTRA LONG BLOCK (ONLY AVAILA-BLE FOR SLA(W)33)	600L(510)	600L(434)	600L(535)	600L(485)	600L(450)				
	500I			700L(610)	700L(534)	700L(635)	700L(585)	700L(550)				
	1000I			800L(710)	800L(634)	800L(735)	800L(685)	800L(650)				
				900L(810)	900L(734)	900L(835)	900L(785)	900L(750)				
				1000L(910)	1000L(834)	1000L(935)	1000L(885)	1000L(850)				

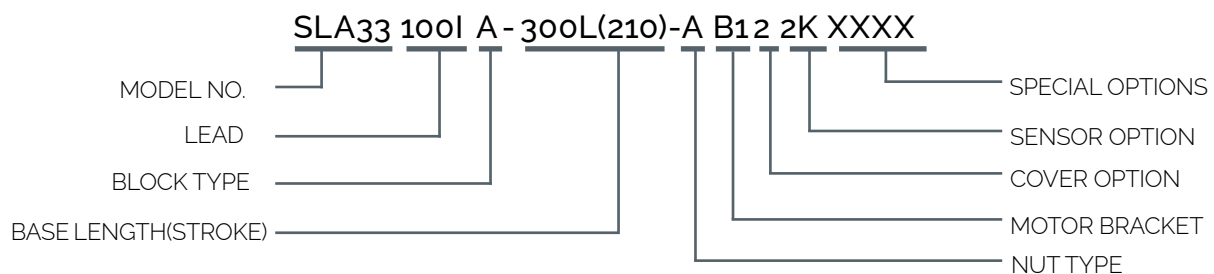
SPECIAL OPTIONS - Please contact SCHNEEBERGER for many other special options not listed below.

BLANK = NOTHING
 SPECIAL LUBRICATION: *SPECIFY TYPE OF LUBRICATION IN DESCRIPTION
 INCLUDE MOTOR: *MUST SPECIFY MOTOR P/N IN DESCRIPTION
 SPECIAL MACHINING: *SPECIFY CUSTOM MACHINING IN DESCRIPTION

*Consult SCHNEEBERGER for custom length.

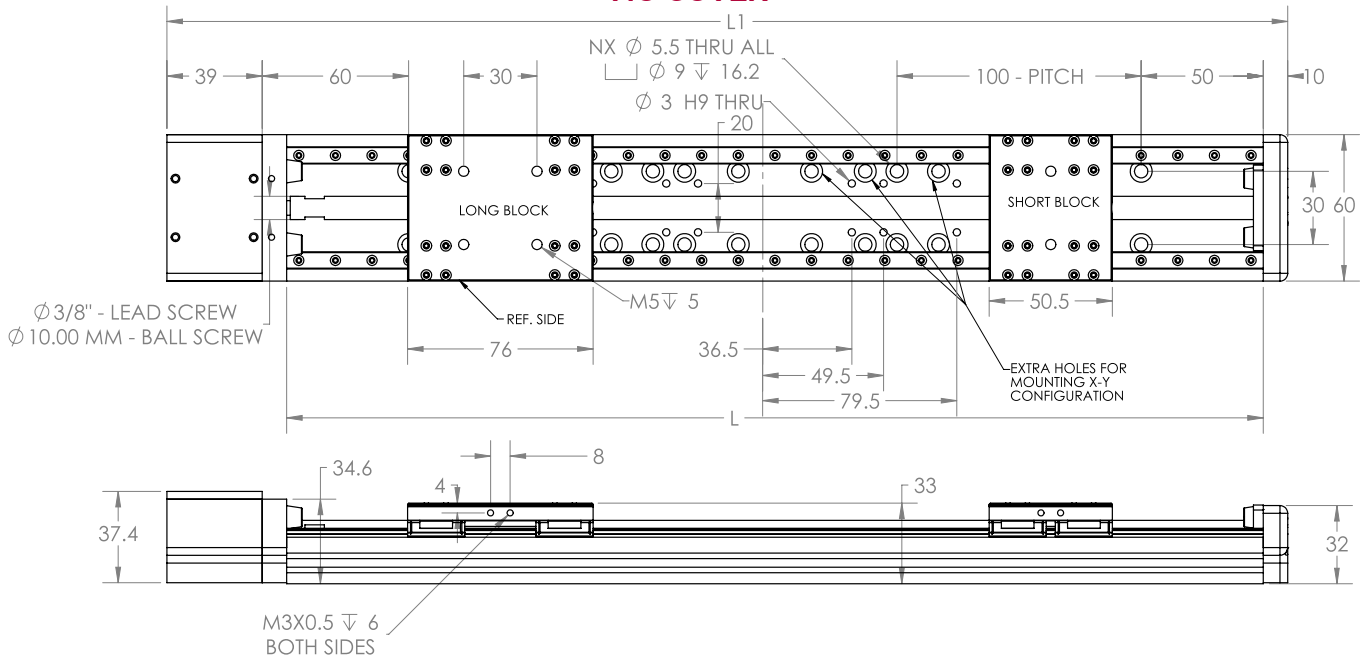
*Consult SCHNEEBERGER for custom leads.

PART NUMBER CREATION

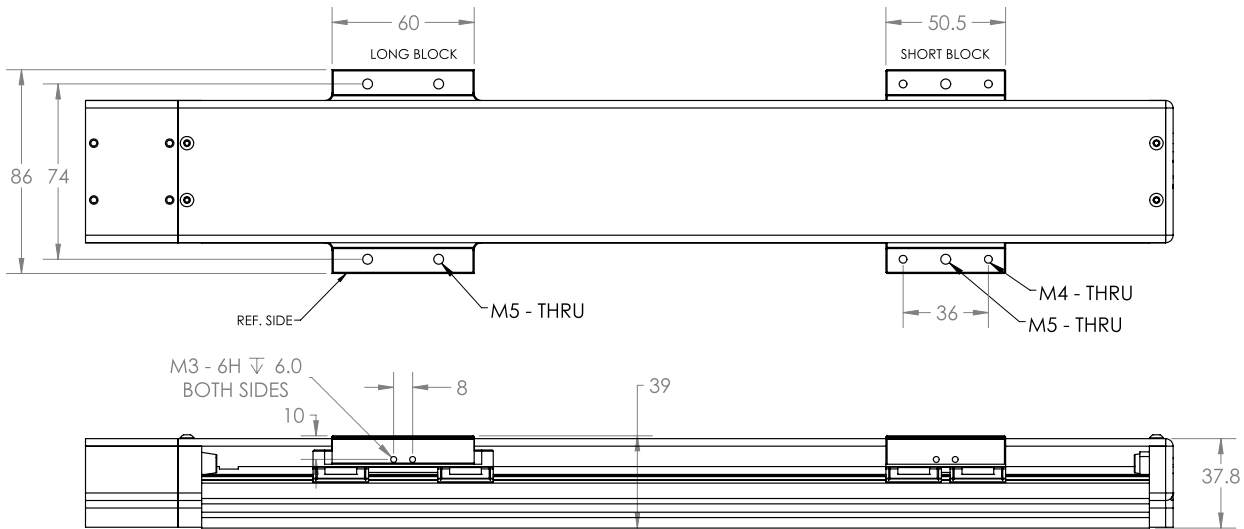


SLA33

NO COVER



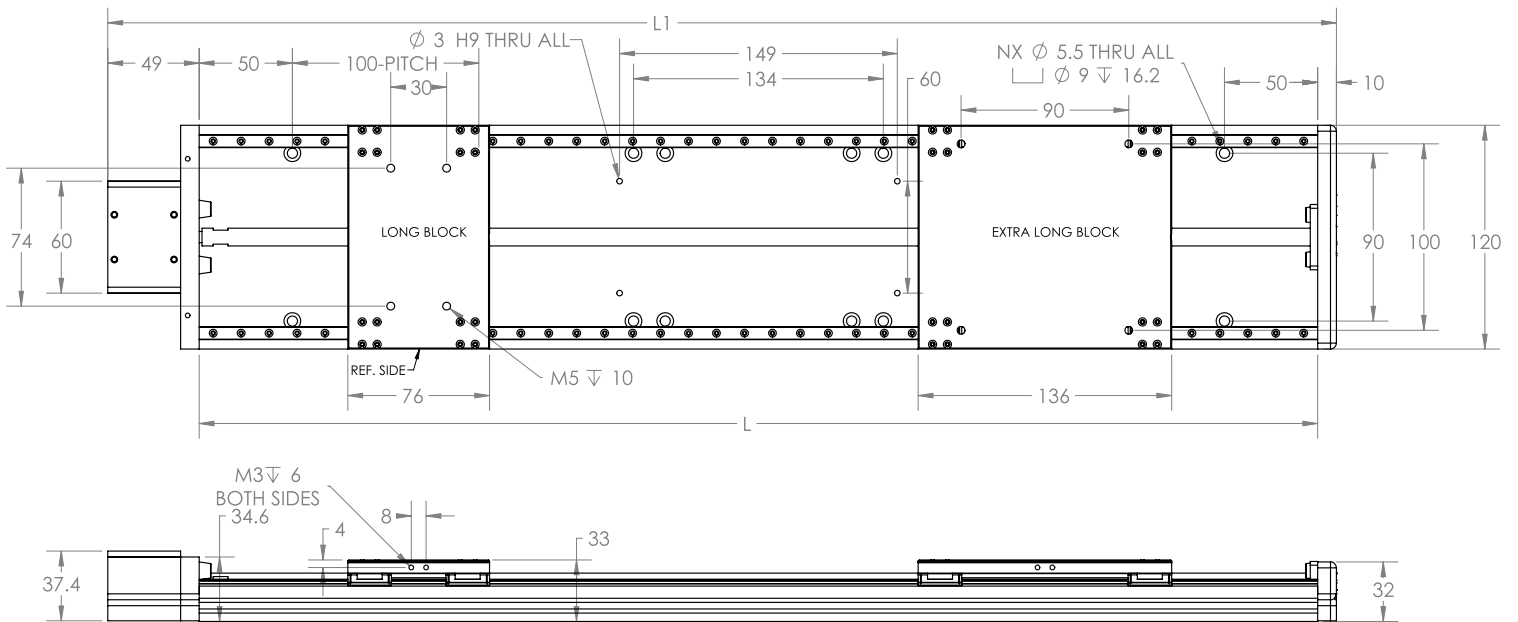
WITH COVER



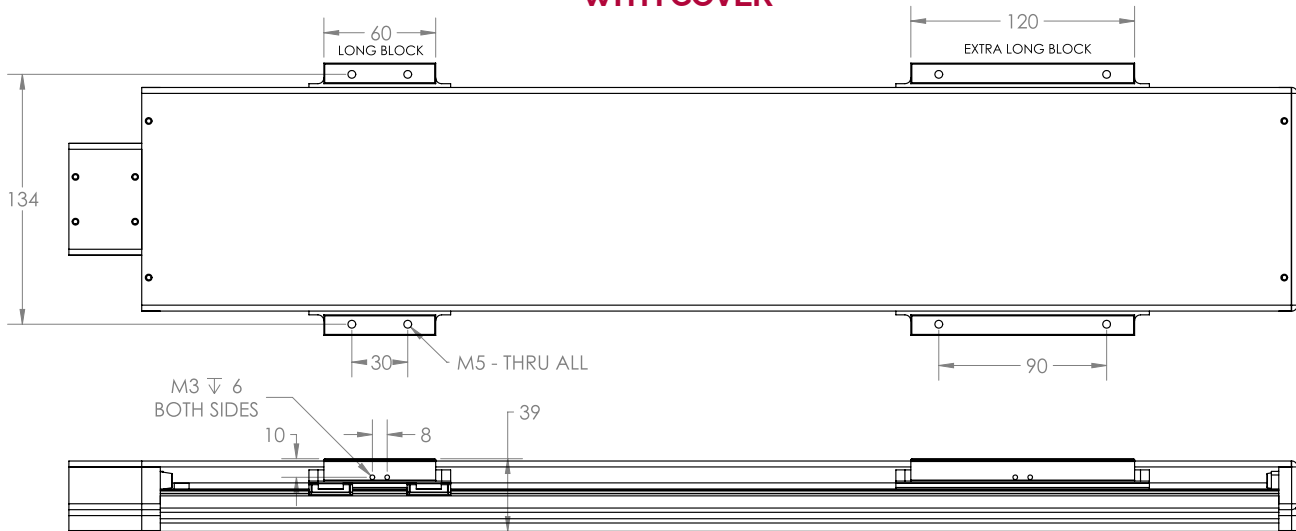
SLA33 MECHANICAL DIMENSIONS UNITS: mm	RAIL LENGTH	OVERALL LENGTH	# OF N HOLES	# OF D HOLES
	200	259	4	N/A
	300	359	6	
	400	459	8	
	500	559	10	
	600	659	12	
	700	759	14	
	800	859	16	
	900	959	18	
	1000	1059	20	

SLA(W)33

NO COVER

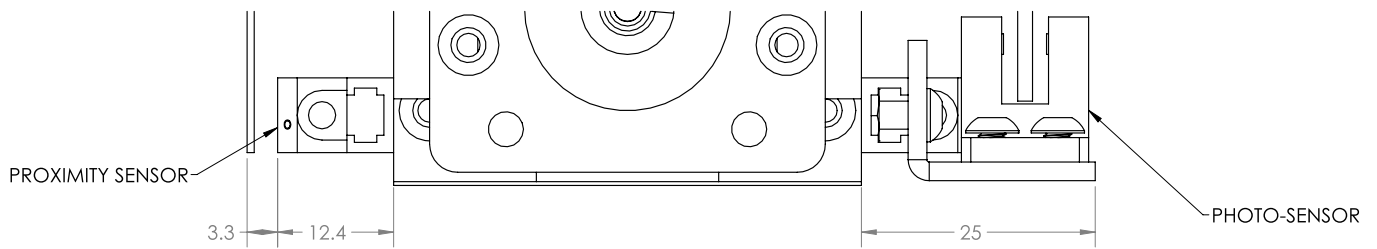


WITH COVER

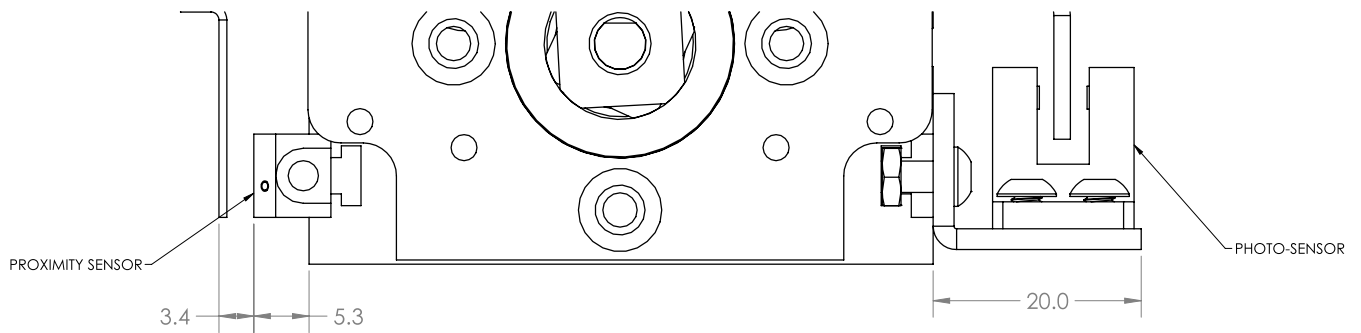


SLA(W)33 MECHANICAL DIMENSIONS UNITS: mm	RAIL LENGTH	OVERAL LENGTH	# OF N HOLES	# OF D HOLES
	200	259	4	N/A
	300	359	6	
	400	459	8	
	500	559	10	
	600	659	12	
	700	759	14	
	800	859	16	
	900	959	18	
	1000	1059	20	

SLA25 Sensor Drawing



SLA33 Sensor Drawing



Brown	12-24 VDC
Blue	GND(OV)
Black	OUTPUT

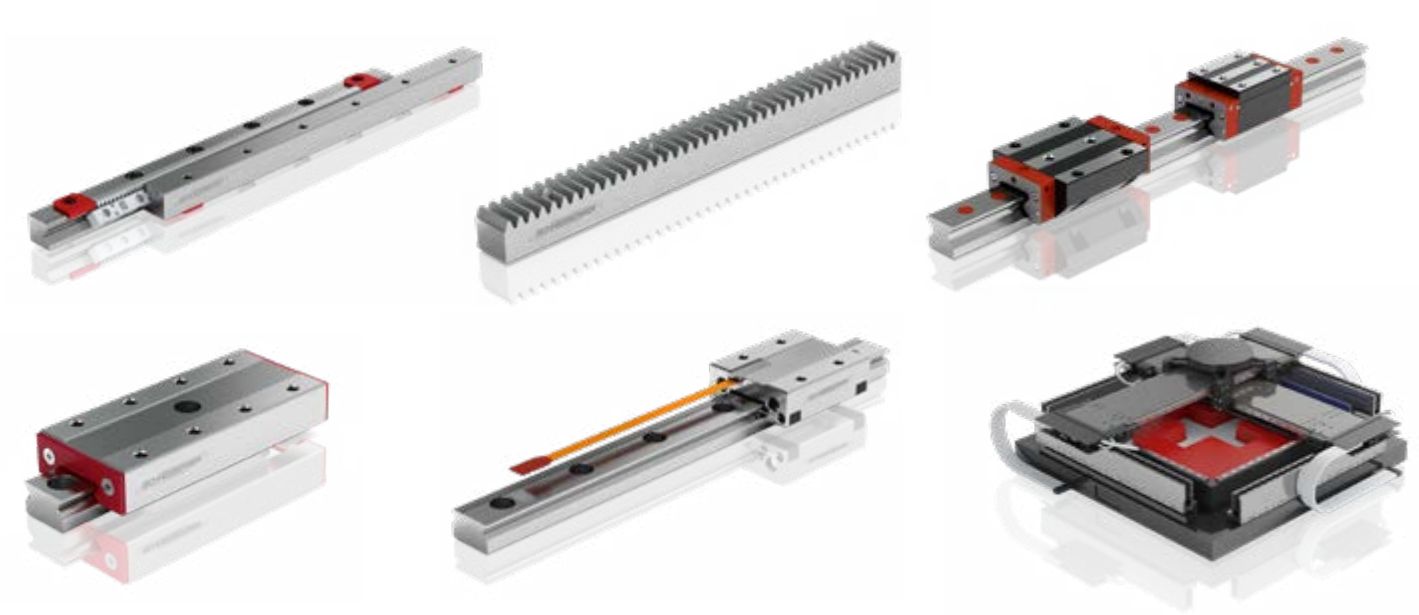
Brown	5-24 VDC
Pink	L +24 VDC = NC
Blue	GND(OV)
Black	OUTPUT

SENSOR OPTIONS	OMRON PART NO.
2K = NPN PROXIMITY SENSOR KIT	E2SW241M (2)
21 = NPN PROXIMITY SENSOR KIT	E2SW241M (2) & E2SW23B1M (1)
2KP = PNP PROXIMITY SENSOR KIT	E2SW261M (2)
21P = PNP PROXIMITY SENSOR KIT	E2SW261M (2) & E2SW25B1M (1)
2H = NPN PHOTO SENSOR KIT	EE-SX674 (2) & EE-1006 (2)
3H = NPN PHOTO SENSOR KIT	EE-SX674 (3) & EE-1006 (3)
2HP = PNP PHOTO SENSOR KIT	EE-SX674P (2) & EE-1006 (2)
3HP = PNP PHOTO SENSOR KIT	EE-SX674P (3) & EE-1006 (3)

Specialists in custom precision linear motion control

SCHNEEBERGER specializes in high-tech markets providing a multitude of components, both mechanical and electrical, to address all your linear motion control needs, including custom systems and stages. **Call us at 1.800.854.6333**

- 3-D Printing
 - Medical/Life Sciences
- Machine Tools
 - Metrology
- Automation/Robots
 - Semiconductors



www.schneeberger.com
www.schneeberger.com/contact

PROSPECTUSES

- CUSTOMIZED BEARINGS
- GEAR RACKS
- LINEAR BEARINGS AND RECIRCULATING UNITS
- MINERAL CASTING SCHNEEBERGER
- MINISLIDE MSQSCALE
- MINI-X MINIRAIL / MINISCALE PLUS / MINISLIDE
- MONORAIL AND AMS PROFILED LINEAR GUIDEWAYS WITH INTEGRATED MEASURING SYSTEM
- MONORAIL AND AMS APPLICATION CATALOG
- SCHNEEBERGER BALL SCREWS SBS
- POSITIONING SYSTEMS
- SLIDES



www.schneeberger.com

www.schneeberger.com